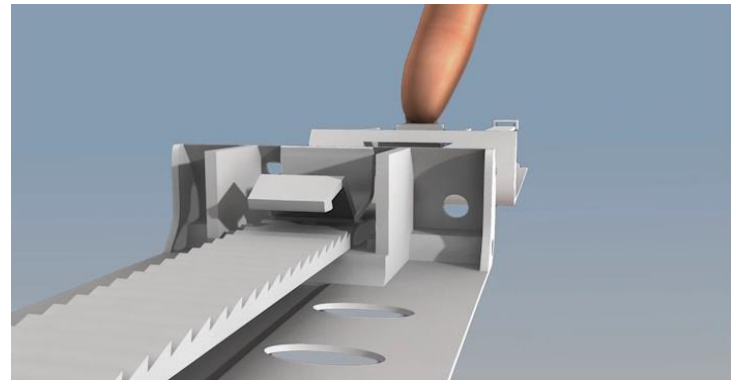
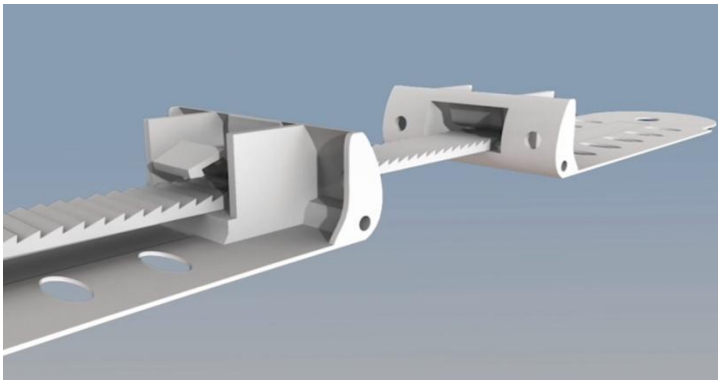


Simple Solutions for Complex Problems

TopClosure[®] Tension Relief System (TRS) is an innovative new technology for the management of simple and complex wounds for dynamic skin stretching and secure wound closure.

The TopClosure[®] TRS aims at harnessing the viscoelastic properties of the skin for optimizing wound closure. It is easy to apply, safe to use and may lead to primary wound closure without the need for skin grafts or flaps, providing simple solutions for complex problems.

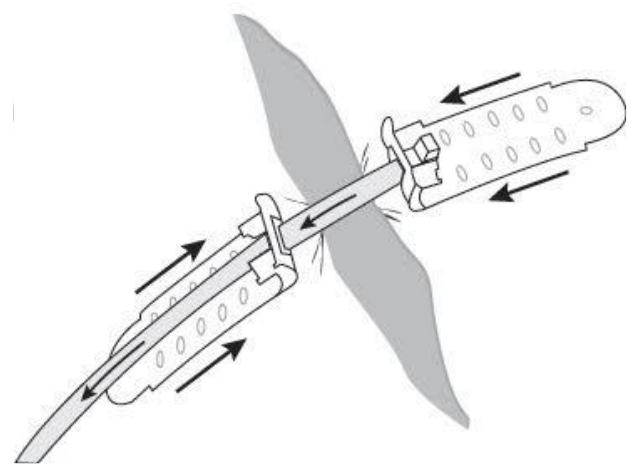
The TopClosure[®] TRS is intended to temporarily stretch skin tissues to aid closure and healing of small to large skin defects following wide tumor resection, for post traumatic, surgical, acute and chronic open wounds.



TopClosure[®] TRS A New Concept for Skin Stretching and Secure Wound Closure

TopClosure[®] TRS clinical advantages:

- Dynamic and secure wound closure.
- Reversible, in a zipper-like manner.
- Easy to apply.
- Can substitute for external tissue expanders.
- Serves as a topical tension-relief platform for tension sutures.
- High variability in applications.
- Unique in both invasive and non-invasive applications.
- Multivectorial skin stretching.
- Allows for early and secure patient ambulation.



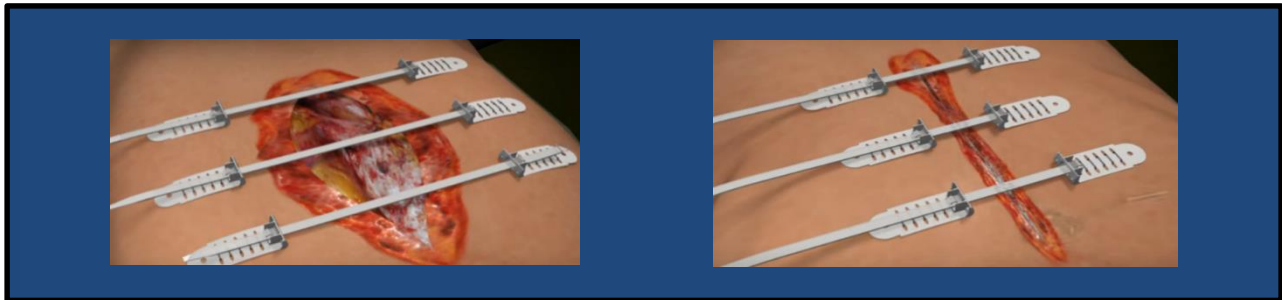
The TopClosure[®] TRS is designed for acute and incremental skin stretching and secure wound closure. It expands the scope of dynamic wound closure in both, non-invasive and invasive manners. The TopClosure[®] TRS can be firmly anchored to the skin by a unique adhesive tape for pre-operative tissue expansion and post-operative wound securing. Staples, sutures and tension sutures can be added, if indicated for high tension closure for ablative, trauma or surgical wound closure. Skin and subcutaneous tissue mobilization is facilitated by both stress - relaxation and mechanical creep, without undermining, for early, primary closure, reducing the need for complex tissue expansion, skin grafts or flaps.

May Serve as a Substitute for Skin Grafts, Flaps & Tissue Expanders

Clinical applications of TopClosure[®] TRS

- Closure from small to large wounds with significant loss of skin and soft tissue.
- Preoperative skin vector expansion in preparation for dermal extirpation with significant benefit for pediatric use.
- Temporary, simple, quick way of management of acute trauma wounds in multi casualty disaster situations where primary wounds treatment will have to be deferred.
- TopClosure[®] TRS can be applied as a novel methodology for both military Combat Casualty Care (CCC) protocol and in first aid approach in civilian injury treatment protocol.
- For improved aesthetics of wound closure as a substitute to skin grafts or flaps, by mobilizing skin and subcutaneous tissue.
- Secure wound closure when wounds are closed under tension.

Aids Closure and Healing of Various Wound Types



TopClosure[®] TRS (Tension-Relief System) is provided in three size models (4mm- coded pink, 6mm- coded green, 8mm- coded gray), and four possible packaging forms:

- TopClosure[®] TRS 3S - Hospital Pack (Triple set) System includes: 7 flexible plates and 5 approximation straps.
- TopClosure[®] TRS 1S - Clinic Pack (Single set) System includes: 2 flexible plates, 1 approximation strap and 2 medical adhesive tapes.
- TopClosure[®] TRS 1S-AD - First Aid Kit (Single set with liquid adhesive) System includes: 2 flexible plates, 1 approximation strap, 2 medical adhesive tapes and a liquid adhesive ampoule.
- TopClosure[®] TRS 1SM - Rescue Kit (Single set with liquid adhesive) System includes: 2 flexible plates, 1 approximation strap, 2 medical adhesive tapes and a liquid adhesive ampoule. Provided in a durable packaging.
- TopClosure[®] TRS 1SM - Emergency Kit (Single set with liquid adhesive and hemostatic gauze) System includes: 2 flexible plates, 1 approximation strap, 2 medical adhesive tapes, 1 hemostatic gauze and a liquid adhesive ampoule. Provided in a durable packaging.
- TopClosure[®] TRS 1SM - Military Kit (Single set with liquid adhesive) System includes: 2 flexible plates, 1 approximation strap, 2 medical adhesive tapes, 1 hemostatic gauze and a liquid adhesive ampoule. Provided in a custom made (waterproof, durable) packaging.

*All of the above contain semi- transparent attachment plates with non- toxic, hypoallergenic adhesive tapes on its undersurface.

For further information and ordering, please contact us at:

IVT Medical Ltd.

16 Hatidhar St. Ra'anana

ISRAEL 4366518

+972-9-7463737

info@topclosure.com

www.topclosure.com

 **IVT** Medical Ltd.
Integrated Vacuum Technologies