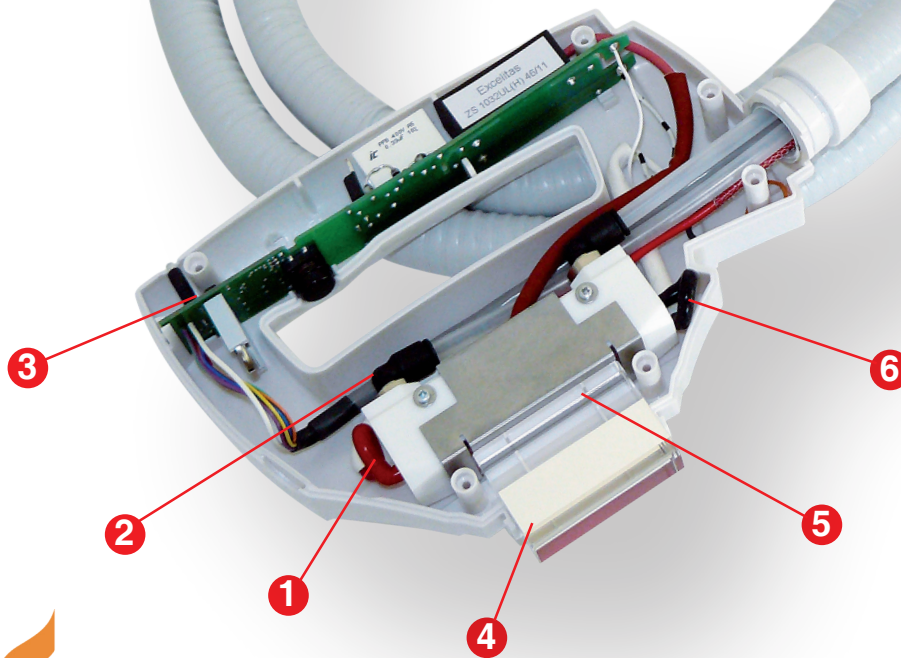


# PATENTED INNOVATIONS

## Safety, efficiency

N°	Patent reference	Description of the patent content specific to handpieces	Extend the life cycle	Improves the efficiency and safety	Improves the client's comfort
1	EP 1547538 B1	Thermal and optical protection system of the optical guide made of plastic and cooled down with water.			✓
2	FR 2876022 B1	Cooling down of the tubes by a helicoid flow of the cooling liquid.	✓		
3	EP 1749494 B1	Handpiece integrating the history of flashes for an automatic compensation of the energies and update of the parameters using a Plug & Play system.		✓	✓
4	EP 1749495	Geometry and design of a specific optical guide enabling a concentration of light.	✓		✓
5	EP 2262440 B1	Double filtering system of the light integrating absorption and dichroic filters.	✓	✓	
6	FR 2867347 B1	Structure of a xenon flash lamp, positioning and immobilization of the electrodes. Delivers a more efficient cooling process.	✓		✓
	FR 2860704 B1	Authorisation to shoot flashes after checking the level of pressure applied by the handpiece on the skin.		✓	✓
	WO 2011054424	Automatic recognition system of the treatments based on the flash signatures.			✓



**Eurofeedback**  
PHOTOTHÉRAPIE



Membre de l'UMM

